

CMOS Gigabit Ethernet OEM Imaging Modules and software for high-performance Machine Vision applications.

Wide VGA - 1.3 Mega Pixel

- larger field of view, smaller defect detection and improved precision

Gigabit Ethernet Interface

- high bandwidth provides large uncompressed images in real time
- 100 meter transmission using low cost CAT5E or CAT6 cables

Global Shutter CMOS Sensors

- snapshot shutter provides crisp images of moving objects
- multiple slope integration extends scene dynamic range to 100+ dB

Common Software Developer's Kit (SDK)

- quick exchanges between FireWire, USB 2.0 and GigE cameras
- includes sample source and wrappers for National Instruments LabVIEW

OEM Customization

- hardware and software modifications tailored to your specific needs
- improved system performance and differentiate yourself



PixelINK Software Development Kit

Providing full control of all camera functions

The PixelINK SDK contains a full Application Programming Interface, along with a sample application with full source code, LabVIEW wrappers and documentation. The SDK is compatible with Visual Basic and Visual C++ on Windows™ 2000, XP and Vista (32-bit) platforms.

With the SDK, developers can integrate PixelINK cameras into their custom applications with ease. A small set of API functions can be used to determine and control the feature set required for your application. Integration is simple and fast.

The SDK includes *PixelINK Capture OEM*, a free sample application that controls all the camera functions and demonstrates camera performance. *PixelINK Capture OEM* provides integrators with examples of how a PixelINK camera can be integrated into a complex application. An API function call log shows the sequence of API calls used and their parameter values any time a control on the GUI is accessed.

PixelINK Capture OEM also acts as a camera configuration utility and provides access to all camera features not available with standard software packages.

PixelINK supplies full technical support with the purchase of the SDK. The support includes access to our advanced support area on the PixelINK website, free software upgrades as well as assistance from our experienced support team.

GigE Digital Imaging Solutions for Machine Vision

PL-B700G series are high-performance megapixel color and monochrome cameras designed for machine vision and industrial inspection applications. The cameras are complemented by on-board look-up tables, multiple triggering modes, flexible ROI sub-windowing and excellent anitblooming. Real-time flat-field correction provides image quality similar to high-end CCD cameras

Accessories

PixelINK provides accessories for interfacing and mounting your camera as well as a software development kit if required.

Contact us, visit our web site or discuss with a PixelINK Representative to ensure you have the accessories that you require.

For more information, contact sales@pixelink.com **PixelINK**

3030 Conroy Road, Ottawa, ON Canada K1G 6C2
<http://www.pixelink.com>

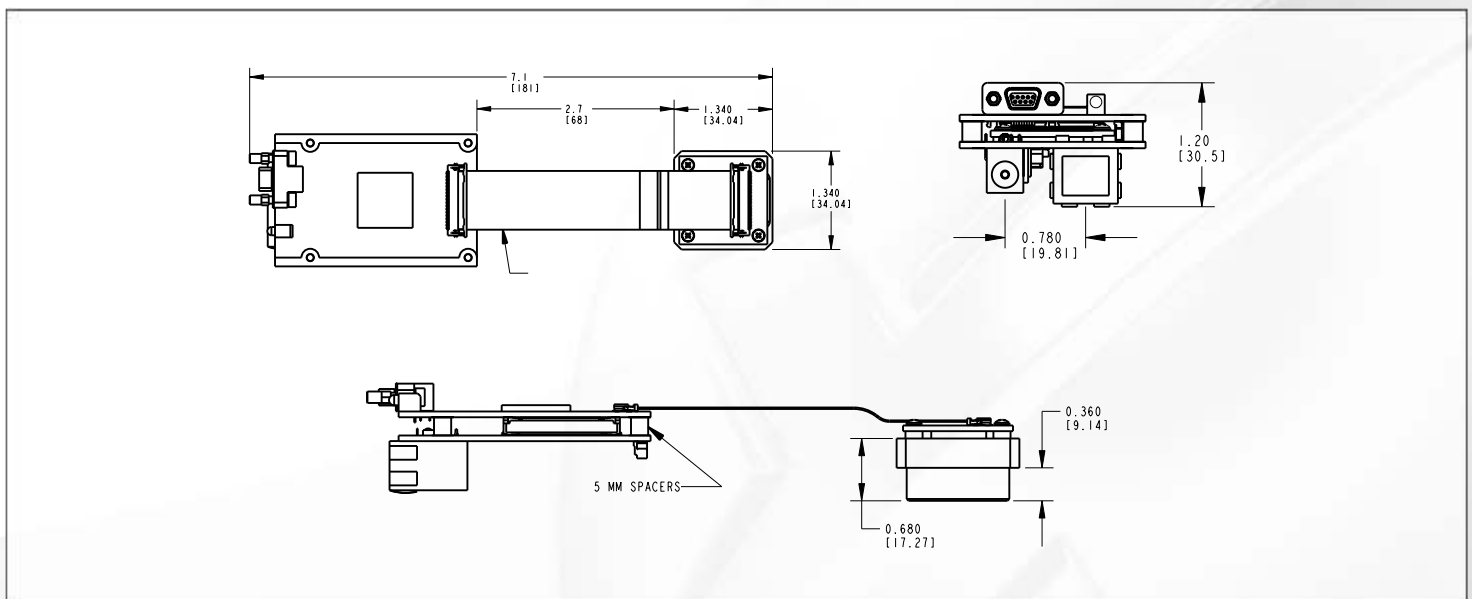
Linden Bucks Technology Supplies Sdn. Bhd.
28A Jalan Mega Mendung, Bandar Park,
Off 5th Mile Jalan Kelang Lama
58200 Kuala Lumpur
MALAYSIA
Tel: +60-3-79832663 Fax: +60-3-79845137
Email: lbts@lindenbucks.com
www.lindenbucks.com

Camera Model >	PL-B741G-BL	PL-B741EG-BL	PL-B742G-BL	PL-B761G-BL	PL-B762G-BL
Camera Specifications					
Color / Mono	Mono	Mono	Color	Mono	Color
Resolution	1280 x 1024	1280 x 1024	1280 x 1024	752 x 480	752 x 480
Frame Rate at Full Resolution	27	27	27	60	60
Sensor Type	CMOS	CMOS	CMOS	CMOS	CMOS
Shutter Type	Global	Global	Global	Global	Global
Lens Format	C 2/3"	C 2/3"	C 2/3"	C 1/3"	C 1/3"
Pixel Pitch	6.7 µm	6.7 µm	6.7 µm	6.0 µm	6.0 µm
Sensor Diagonal	11.01 mm	11.01 mm	11.01 mm	5.35 mm	5.35 mm
Bit Depth	8 or 10	8 or 10	8 or 10	8 or 10	8 or 10
Power Consumption (Watts)	5.1W	5.1W	5.4W	TBD	TBD
Variable ROI	Yes	Yes	Yes	Yes	Yes
Interface (GigE)	1 x 8 PIN RJ-45 Connector				

Camera Features via FireWire					
Trigger Options	Hardware - Optically Isolated 5-12V @ 4-11mA, Software and Free Running				
General Purpose Outputs	4 Optically Isolated - Maximum 40V Differential, Maximum 15mA				
Weight	80g	80g	80g	80g	80g
Operating Temperature	0° - 50°C	0° - 50°C	0° - 50°C	0° - 50°C	0° - 50°C

Image Quality Measures	(See the Knowledge Base at http://www.pixelink.com for a description of Image Quality Measures)				
Peak Responsivity (DN/(nJ/cm ²))	9.8	10.8	7.3	28.1	17.5
Dynamic Range	54.6 dB	54.6 dB	54.6 dB	56.7 dB	56.7 dB
FPN	< 1%	< 1%	< 1%	<1%	<1%
PRNU	< 1%	< 1%	< 1.5%	<1.5%	<1.5%
Read Noise	< 2 DN	< 2 DN	< 2 DN	<1.5 DN	<1.5 DN

Software					
PixeLINK Capture OEM	Free Download at http://www.pixelink.com				
SDK (incl. LabView Wrappers)	Optional	Optional	Optional	Optional	Optional
Windows Compatible	Windows™ 2000, XP and Vista (32-bit)				



CMOS Gigabit Ethernet OEM Imaging Modules and software for high-performance Machine Vision applications.

1.3 - 6.6 Mega Pixel

- larger field of view, smaller defect detection and improved precision

Gigabit Ethernet Interface

- high bandwidth provides large uncompressed images in real time
- 100 meter transmission using low cost CAT5E or CAT6 cables

User Defined Region of Interest (ROI)

- image localized regions for up to 4000fps and smaller data files

Common Software Developer's Kit (SDK)

- quick exchanges between FireWire, USB 2.0 and GigE cameras
- includes sample source code and wrappers for National Instruments LabVIEW

OEM Customization

- hardware and software modifications tailored to your specific needs
- improved system performance and differentiation



PixelINK Software Development Kit

Providing full control of all camera functions

The PixelINK SDK contains a full Application Programming Interface, along with a sample application with full source code, LabVIEW wrappers and documentation. The SDK is compatible with Visual Basic and Visual C++ on Windows™ 2000, XP and Vista (32-bit) platforms.

With the SDK, developers can integrate PixelINK cameras into their custom applications with ease. A small set of API functions can be used to determine and control the feature set required for your application. Integration is simple and fast.

The SDK includes *PixelINK Capture OEM*, a free sample application that controls all the camera functions and demonstrates camera performance. *PixelINK Capture OEM* provides integrators with examples of how a PixelINK camera can be integrated into a complex application. An API function call log shows the sequence of API calls used and their parameter values any time a control on the GUI is accessed.

PixelINK Capture OEM also acts as a camera configuration utility and provides access to all camera features not available with standard software packages.

PixelINK supplies full technical support with the purchase of the SDK. The support includes access to our advanced support area on the PixelINK website, free software upgrades as well as assistance from our experienced support team.

GigE Digital Imaging Solutions for Machine Vision

PL-B700G-BL series are high-performance megapixel color and monochrome cameras designed for machine vision and industrial inspection applications. The cameras are complemented by on-board look-up tables, multiple triggering modes, flexible ROI sub-windowing and excellent anitblooming. Real-time flat-field correction provides image quality similar to high-end CCD cameras

Accessories

PixelINK provides accessories for interfacing and mounting your camera as well as a software development kit if required.

Contact us, visit our web site or discuss with a PixelINK Representative to ensure you have the accessories that you require.

For more information, contact sales@pixelink.com

PixelINK

3030 Conroy Road, Ottawa, ON Canada K1G 6C2
<http://www.pixelink.com>

Linden Bucks Technology Supplies Sdn. Bhd.
28A Jalan Mega Mendung, Bandar Park,
Off 5th Mile Jalan Kelang Lama
58200 Kuala Lumpur
MALAYSIA
Tel: +60-3-79832663 Fax: +60-3-79845137
Email: lbts@lindenbucks.com
www.lindenbucks.com

Camera Model > **PL-B771G-BL** **PL-B774G-BL** **PL-B776G-BL** **PL-B777G-BL** **PL-B778G-BL** **PL-B781G-BL** **PL-B782G-BL**

Camera Specifications							
Color / Mono	Mono	Color	Color	Mono	Color	Mono	Color
Resolution	1280 x 1024	1600 x 1200	2048 x 1536	2592 x 1944	2592 x 1944	2208 x 3000	2208 x 3000
Frame Rate at Full Resolution	30	20	12	7	7	5	5
Sensor Type	CMOS	CMOS	CMOS	CMOS	CMOS	CMOS	CMOS
Shutter Type	Rolling	Rolling	Rolling	Rolling	Rolling	Rolling	Rolling
Lens Format	C 1/2"	C 1/2"	C1/2"	C 1/2.5"	C 1/2.5"	C 1"	C 1"
Pixel Pitch	5.2 µm	4.2 µm	3.2 µm	2.2 µm	2.2 µm	3.5 µm	3.5 µm
Sensor Diagonal	8.52 mm	8.40 mm	8.19 mm	7.13 mm	7.13 mm	13.1 mm	13.1 mm
Bit Depth	8 or 10	8 or 10	8 or 10	8 or 10	8 or 10	8 or 10	8 or 10
Power Consumption (Watts)	5.3W	5.6W	5.7W	TBD	TBD	5.5W	6.5W
Variable ROI	Yes	Yes	Yes	Yes	Yes	Yes	Yes
Interface (GigE)	1 x 8 PIN RJ-45 Connector						

Non-triggered frame rates. Triggered frame rates will be slower

Camera Features via FireWire							
Trigger Options	Hardware - Optically Isolated 5-12V @ 4-11mA, Software and Free Running						
General Purpose Outputs	4 Optically Isolated - Maximum 40V Differential, Maximum 15mA						
Weight	80g	80g	80g	80g	80g	80g	80g
Operating Temperature	0° - 50°C	0° - 50°C	0° - 50°C	0° - 50°C	0° - 50°C	0° - 50°C	0° - 50°C

Image Quality Measures (See the Knowledge Base at http://www.pixelink.com for a description of Image Quality Measures)							
Peak Responsivity (DN/(nJ/cm ²))	11.8	10	4.6	TBD	TBD	4.4	4
Dynamic Range	60 dB	60 dB	60 dB	TBD	TBD	60 dB	60 dB
FPN	< 1%	< 1%	< 1%	TBD	TBD	< 1%	< 1.5%
PRNU	< 1%	< 1%	< 1%	TBD	TBD	< 2%	< 3%
Read Noise	< 1 DN	< 1 DN	< 1 DN	TBD	TBD	< 1 DN	< 1 DN

Software							
PixeLINK Capture OEM	Free Download at http://www.pixelink.com						
SDK (incl. LabView Wrappers)	Optional	Optional	Optional	Optional	Optional	Optional	Optional
Windows Compatible	Windows™ 2000, XP and Vista (32-bit)						

