

CMOS Gigabit Ethernet Cameras and software for high-performance Machine Vision applications.

Wide VGA - 1.3 Mega Pixel

- larger field of view, smaller defect detection and improved precision

Gigabit Ethernet Interface

- high bandwidth provides large uncompressed images in real time
- 100 meter transmission using low cost CAT5E or CAT6 cables

Global Shutter CMOS Sensors

- snapshot shutter provides crisp images of moving objects
- multiple slope integration extends scene dynamic range to 100+ dB

Common Software Developer's Kit (SDK)

- quick exchanges between FireWire, USB 2.0 and GigE cameras
- includes sample source code and wrappers for National Instruments LabVIEW

In-Camera Flat Field Correction

- enhances image quality through correction of FPN, PRNU and illumination non-uniformities



PixelINK Software Developer's Kit

Providing full control of all camera functions

The PixelINK SDK contains a full Application Programming Interface, a sample application with source code, LabVIEW wrappers and documentation. The SDK is compatible with Visual Basic and Visual C++ on Windows™ 2000, XP and Vista (32-bit) platforms.

With the SDK, developers can integrate PixelINK cameras into their custom applications with ease. A small set of API functions can be used to determine and control the camera feature set required for your application. Integration is fast and simple.

The SDK includes *PixelINK Capture OEM*, a free sample application that controls all the camera functions and demonstrates camera performance. *PixelINK Capture OEM* provides integrators with examples of how a PixelINK camera can be integrated into a complex application. An API function call log displays the sequence of API calls used and their parameter values any time a control on the GUI is accessed.

PixelINK Capture OEM also acts as a camera configuration utility and provides access to all camera features that are not available with standard interfaces such as TWAIN.

PixelINK offers full technical support with the purchase of the SDK. The support includes access to our advanced support area on the PixelINK website, free software upgrades as well as assistance from our experienced support team.

GigE Digital Imaging Solutions for Machine Vision

PL-B700G series are high-performance megapixel color and monochrome cameras designed for machine vision and industrial inspection applications. The cameras are complemented by on-board look-up tables, multiple triggering modes, flexible ROI sub-windowing and excellent anitblooming. Real-time flat-field correction provides image quality similar to high-end CCD cameras.

For OEM and end-users who require increased flexibility, PixelINK offers all of its cameras with both standard and right-angle mechanical configurations.

Contact us or your PixelINK Representative directly to determine which configuration best suits you application.

For more information, contact sales@pixelink.com

PixelINK

3030 Conroy Road, Ottawa, ON Canada K1G 6C2
<http://www.pixelink.com>

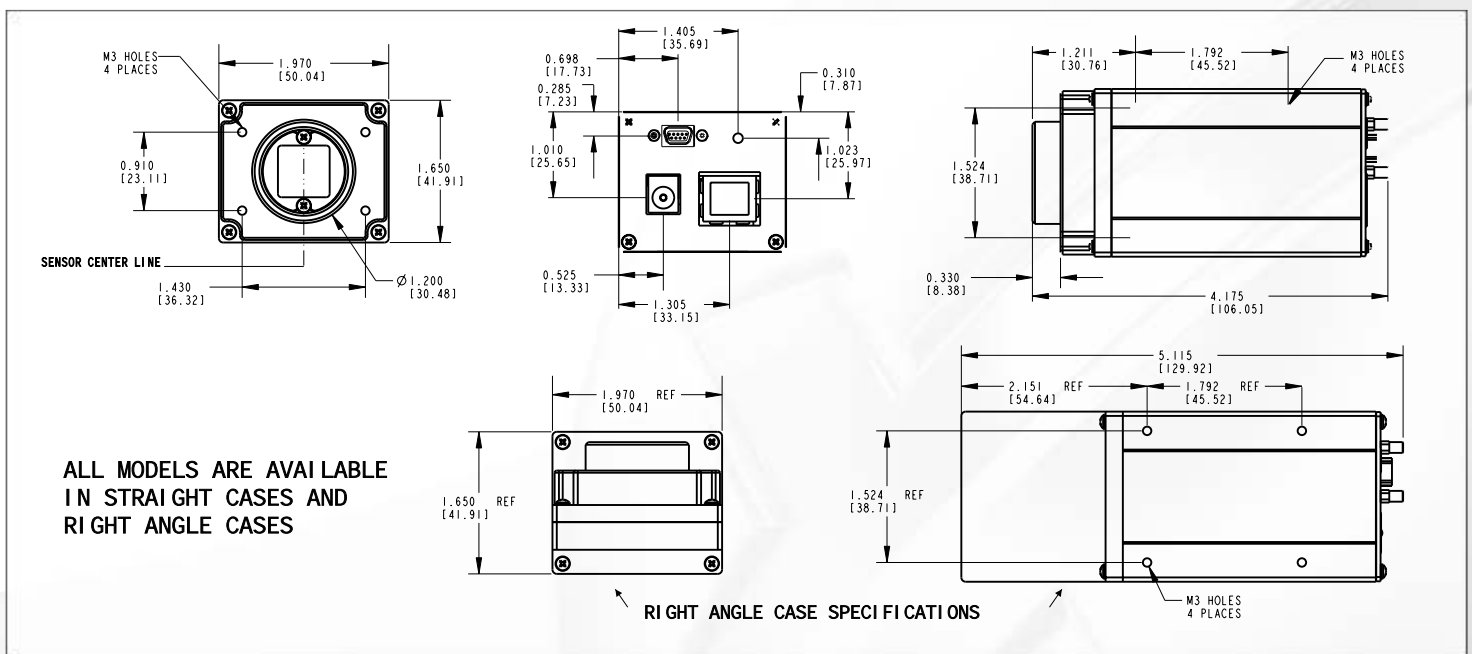
Linden Bucks Technology Supplies Sdn. Bhd.
28A Jalan Mega Mendung, Bandar Park,
Off 5th Mile Jalan Kelang Lama
58200 Kuala Lumpur
MALAYSIA
Tel: +60-3-79832663 Fax: +60-3-79845137
Email: lbts@lindenbucks.com
www.lindenbucks.com

Camera Model >	PL-B741G	PL-B741EG	PL-B742G	PL-B761G	PL-B762G
Camera Specifications					
Color / Mono	Mono	Mono	Color	Mono	Color
Resolution	1280 x 1024	1280 x 1024	1280 x 1024	752 x 480	752 x 480
Frame Rate at Full Resolution	27	27	27	60	60
Sensor Type	CMOS	CMOS	CMOS	CMOS	CMOS
Shutter Type	Global	Global	Global	Global	Global
Lens Format	C 2/3"	C 2/3"	C 2/3"	C 1/3"	C 1/3"
Pixel Pitch	6.7 µm	6.7 µm	6.7 µm	6.0 µm	6.0 µm
Sensor Diagonal	11.01 mm	11.01 mm	11.01 mm	5.35 mm	5.35 mm
Bit Depth	8 or 10	8 or 10	8 or 10	8 or 10	8 or 10
Power Consumption (Watts)	5.1W	5.1W	5.4W	TBD	TBD
Variable ROI	Yes	Yes	Yes	Yes	Yes
Right-angle Capable	All camera models are available with right angled case by adding suffix -R to part number				
Interface (GigE)	1x 8 PIN RJ-45 Connector				

Camera Features via FireWire	
Trigger Options	Hardware - Optically Isolated 5-12V @ 4-11mA, Software and Free Running
General Purpose Outputs	2 Optically Isolated - Maximum 40V Differential. Maximum 15mA

Image Quality Measures	(See the Knowledge Base at http://www.pixelink.com for a description of Image Quality Measures)				
Peak Responsivity (DN/(nJ/cm ²))	9.8	10.8	7.3	28.1	17.5
Dynamic Range	54.6 dB	54.6 dB	54.6 dB	56.7 dB	56.7 dB
FPN	< 1%	< 1%	< 1%	<1%	<1%
PRNU	< 1%	< 1%	< 1.5%	<1.5%	<1.5%
Read Noise	< 2 DN	< 2 DN	< 2 DN	<1.5 DN	<1.5 DN

Software	
PixeLINK Capture OEM	Free Download at http://www.pixelink.com
SDK (incl. LabView Wrappers)	Optional
Windows Compatible	Windows™ 2000, XP and Vista (32-bit)



CMOS Gigabit Ethernet Cameras and software for high-performance Machine Vision applications.

1.3 - 6.6 Mega Pixel

- larger field of view, smaller defect detection and improved precision

Gigabit Ethernet Interface

- high bandwidth provides large uncompressed images in real time
- 100 meter transmission using low cost CAT5E or CAT6 cables

User Defined Region of Interest (ROI)

- image localized regions for up to 4000fps and smaller data files

Common Software Developer's Kit (SDK)

- quick exchanges between FireWire, USB 2.0 and GigE cameras
- includes sample source code and wrappers for National Instruments LabVIEW

In-Camera Flat Field Correction

- enhances image quality through correction of FPN, PRNU and illumination non-uniformities



PixelINK Software Developer's Kit

Providing full control of all camera functions

The PixelINK SDK contains a full Application Programming Interface, a sample application with source code, LabVIEW wrappers and documentation. The SDK is compatible with Visual Basic and Visual C++ on Windows™ 2000, XP and Vista (32-bit) platforms.

With the SDK, developers can integrate PixelINK cameras into their custom applications with ease. A small set of API functions can be used to determine and control the camera feature set required for your application. Integration is fast and simple.

The SDK includes *PixelINK Capture OEM*, a free sample application that controls all the camera functions and demonstrates camera performance. *PixelINK Capture OEM* provides integrators with examples of how a PixelINK camera can be integrated into a complex application. An API function call log displays the sequence of API calls used and their parameter values any time a control on the GUI is accessed.

PixelINK Capture OEM also acts as a camera configuration utility and provides access to all camera features not available with standard interfaces such as TWAIN.

PixelINK offers full technical support with the purchase of the SDK. The support includes access to our advanced support area on the PixelINK website, free software upgrades as well as assistance from our experienced support team.

GigE Digital Imaging Solutions for Machine Vision

PL-B700G series are high-performance megapixel color and monochrome cameras designed for machine vision and industrial inspection applications. The cameras are complemented by on-board look-up tables, multiple triggering modes, flexible ROI sub-windowing and excellent anti-blooming. Real-time flat-field correction provides image quality similar to high-end CCD cameras.

For OEM and end-users who require increased flexibility, PixelINK offers all of its cameras with both standard and right-angle mechanical configurations.

Contact us or your PixelINK Representative directly to determine which configuration best suits your application.

For more information, contact sales@pixelink.com

PixelINK

3030 Conroy Road, Ottawa, ON Canada K1G 6C2
<http://www.pixelink.com>

Linden Bucks Technology Supplies Sdn. Bhd.
28A Jalan Mega Mendung, Bandar Park,
Off 5th Mile Jalan Kelang Lama
58200 Kuala Lumpur
MALAYSIA
Tel: +60-3-79832663 Fax: +60-3-79845137
Email: lbts@lindenbucks.com
www.lindenbucks.com

Camera Model >	PL-B771G	PL-B774G	PL-B776G	PL-B777G	PL-B778G	PL-B781G	PL-B782G
----------------	----------	----------	----------	----------	----------	----------	----------

Camera Specifications							
Color / Mono	Mono	Color	Color	Mono	Color	Mono	Color
Resolution	1280 x 1024	1600 x 1200	2048 x 1536	2592 x 1944	2592 x 1944	2208 x 3000	2208 x 3000
Frame Rate at Full Resolution	30	20	12	7	7	5	5
Sensor Type	CMOS	CMOS	CMOS	CMOS	CMOS	CMOS	CMOS
Shutter Type	Rolling	Rolling	Rolling	Rolling	Rolling	Rolling	Rolling
Lens Format	C 1/2"	C 1/2"	C 1/2"	C 1/2.5"	C 1/2.5"	C 1"	C 1"
Pixel Pitch	5.2 µm	4.2 µm	3.2 µm	2.2 µm	2.2 µm	3.5 µm	3.5 µm
Sensor Diagonal	8.52 mm	8.40 mm	8.19 mm	7.13 mm	7.13 mm	13.1 mm	13.1 mm
Bit Depth	8 or 10	8 or 10	8 or 10	8 or 10	8 or 10	8 or 10	8 or 10
Power Consumption (Watts)	5.3W	5.6W	5.7W	TBD	TBD	5.5W	6.5W
Variable ROI	Yes	Yes	Yes	Yes	Yes	Yes	Yes
Right-angle Capable	All camera models are available with right angled case by adding suffix -R to part number						
Interface (GigE)	1 x 8 PIN RJ-45 Connector						

Non-triggered frame rates. Triggered frame rates will be slower

Camera Features via FireWire	
Trigger Options	Hardware - Optically Isolated 5-12V @ 4-11mA, Software and Free Running
General Purpose Outputs	2 Optically Isolated - Maximum 40V Differential. Maximum 15mA

Image Quality Measures	(See the Knowledge Base at http://www.pixelink.com for a description of Image Quality Measures)						
Peak Responsivity (DN/(nJ/cm ²))	11.8	10	4.6	TBD	TBD	4.4	4
Dynamic Range	60 dB	60 dB	60 dB	TBD	TBD	60 dB	60 dB
FPN	< 1%	< 1%	< 1%	TBD	TBD	< 1%	< 1.5%
PRNU	< 1%	< 1%	< 1%	TBD	TBD	< 2%	< 3%
Read Noise	< 1 DN	< 1 DN	< 1 DN	TBD	TBD	< 1 DN	< 1 DN

Software							
PixeLINK Capture OEM	Free Download at http://www.pixelink.com						
SDK (incl. LabView Wrappers)	Optional	Optional	Optional	Optional	Optional	Optional	Optional
Windows Compatible	Windows™ 2000, XP and Vista (32-bit)						

