

## CMOS USB 2.0 Cameras and software for high-performance Machine Vision applications.

### Wide VGA - 1.3 Mega Pixel

- larger field of view, smaller defect detection and improved precision

### Global Shutter CMOS Sensors

- snapshot shutter provides crisp images of moving objects
- multiple slope integration extends scene dynamic range to 100+ dB

### USB 2.0 Interface

- universal computer support and user-friendly plug-and-play integration
- eliminates costly frame grabber and simplifies cabling

### Common Software Developer's Kit (SDK)

- quick exchanges between FireWire, USB 2.0 and GigE cameras
- includes sample source code and wrappers for National Instruments LabVIEW

### In-Camera Flat Field Correction

- enhances image quality through correction of FPN, PRNU and illumination non-uniformities



## PixelINK Software Developer's Kit

### Providing full control of all camera functions

The PixelINK SDK contains a full Application Programming Interface, a sample application with source code, LabVIEW wrappers and documentation. The SDK is compatible with Visual Basic and Visual C++ on Windows™ 2000, XP and Vista (32-bit) platforms.

With the SDK, developers can integrate PixelINK cameras into their custom applications with ease. A small set of API functions can be used to determine and control the camera feature set required for your application. Integration is fast and simple.

The SDK includes *PixelINK Capture OEM*, a free sample application that controls all the camera functions and demonstrates camera performance. *PixelINK Capture OEM* provides integrators with examples of how a PixelINK camera can be integrated into a complex application. An API function call log displays the sequence of API calls used and their parameter values any time a control on the GUI is accessed.

*PixelINK Capture OEM* also acts as a camera configuration utility and provides access to all camera features not available with standard interfaces such as DirectShow.

PixelINK offers full technical support with the purchase of the SDK. The support includes access to our advanced support area on the PixelINK website, free software upgrades as well as assistance from our experienced support team.

## USB 2.0 Digital Imaging Solutions for Machine Vision

PL-B700U series are high-performance megapixel color and monochrome cameras designed for machine vision and industrial inspection applications. The cameras are complemented by on-board look-up tables, multiple triggering modes, flexible ROI sub-windowing and excellent anitblooming. Real-time flat-field correction provides image quality similar to high-end CCD cameras.

For OEM and end-users who require increased flexibility, PixelINK offers all of its cameras with both standard and right-angle mechanical configurations.

Contact us or your PixelINK Representative directly to determine which configuration best suits you application.

**For more information, contact [sales@pixelink.com](mailto:sales@pixelink.com)**

### PixelINK

3030 Conroy Road, Ottawa, ON Canada K1G 6C2  
<http://www.pixelink.com>

Linden Bucks Technology Supplies Sdn. Bhd.  
28A Jalan Mega Mendung, Bandar Park,  
Off 5th Mile Jalan Kelang Lama  
58200 Kuala Lumpur  
MALAYSIA  
Tel: +60-3-79832663 Fax: +60-3-79845137  
Email: [lbts@lindenbucks.com](mailto:lbts@lindenbucks.com)  
[www.lindenbucks.com](http://www.lindenbucks.com)

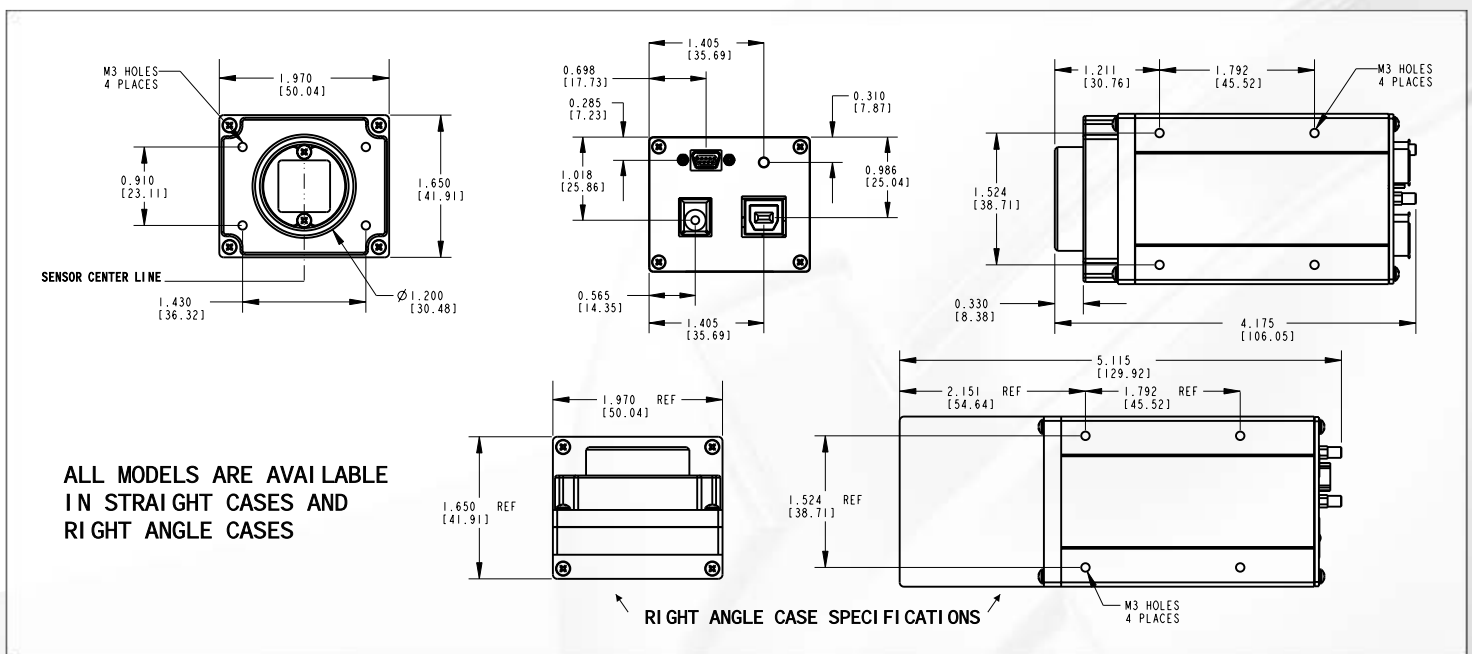
Camera Model >	PL-B741U	PL-B741EU	PL-B742U	PL-B761U	PL-B762U
<b>Camera Specifications</b>					
Color / Mono	Mono	Mono	Color	Mono	Color
Resolution	1280 x 1024	1280 x 1024	1280 x 1024	752 x 480	752 x 480
Frame Rate at Full Resolution	25	25	25	55	55
Sensor Type	CMOS	CMOS	CMOS	CMOS	CMOS
Shutter Type	Global	Global	Global	Global	Global
Lens Format	C 2/3"	C 2/3"	C 2/3"	C 1/3"	C 1/3"
Pixel Pitch	6.7 µm	6.7 µm	6.7 µm	6.0 µm	6.0 µm
Sensor Diagonal	11.01 mm	11.01 mm	11.01 mm	5.35 mm	5.35 mm
Bit Depth	8 or 10	8 or 10	8 or 10	8 or 10	8 or 10
Power Consumption (Watts)	2.8W	2.8W	3.3W	TBD	TBD
Variable ROI	Yes	Yes	Yes	Yes	Yes
Right-angle Capable	All camera models are available with right angled case by adding suffix -R to part number				
Interface (USB 2.0)	1 x 4 PIN Connector				

Frame rates will vary based on host system variables and configuration

Camera Features via USB 2.0	
Trigger Options	Hardware - Optically Isolated 5-12V @ 4-11mA, Software and Free Running
General Purpose Outputs	2 Optically Isolated - Maximum 40V Differential, Maximum 15mA

Image Quality Measures	(See the Knowledge Base at <a href="http://www.pixelink.com">http://www.pixelink.com</a> for a description of Image Quality Measures)				
Peak Responsivity (DN/(nJ/cm <sup>2</sup> ))	9.8	10.8	7.3	28.1	17.5
Dynamic Range	54.6 dB	54.6 dB	54.6 dB	56.7 dB	56.7 dB
FPN	< 1%	< 1%	< 1%	<1%	<1%
PRNU	< 1%	< 1%	< 1.5%	<1.5%	<1.5%
Read Noise	< 2 DN	< 2 DN	< 2 DN	<1.5 DN	<1.5 DN

Software					
PixeLINK Capture OEM	Free Download at <a href="http://www.pixelink.com">http://www.pixelink.com</a>				
SDK (incl. LabView Wrappers)	Optional	Optional	Optional	Optional	Optional
DirectShow Compatible	Yes	Yes	Yes	Yes	Yes
Windows Compatible	Windows™ 2000, XP and Vista (32-bit)				



## CMOS USB 2.0 Cameras and software for high-performance Machine Vision applications.

### 1.3 - 6.6 Mega Pixel

→ larger field of view, smaller defect detection and improved precision

### User Defined Region of Interest (ROI)

→ image localized regions for up to 8000fps and smaller data files

### USB 2.0 Interface

→ universal computer support and user-friendly plug-and-play integration  
→ eliminates costly frame grabber and simplifies cabling

### Common Software Developer's Kit (SDK)

→ quick exchanges between FireWire, USB 2.0 and GigE cameras  
→ includes sample source code and wrappers for National Instruments LabVIEW

### In-Camera Flat Field Correction

→ enhances image quality through correction of FPN, PRNU and illumination non-uniformities



## PixelINK Software Developer's Kit

### Providing full control of all camera functions

The PixelINK SDK contains a full Application Programming Interface, a sample application with source code, LabVIEW wrappers and documentation. The SDK is compatible with Visual Basic and Visual C++ on Windows™ 2000, XP and Vista (32-bit) platforms.

With the SDK, developers can integrate PixelINK cameras into their custom applications with ease. A small set of API functions can be used to determine and control the camera feature set required for your application. Integration is fast and simple.

The SDK includes *PixelINK Capture OEM*, a free sample application that controls all the camera functions and demonstrates camera performance. *PixelINK Capture OEM* provides integrators with examples of how a PixelINK camera can be integrated into a complex application. An API function call log displays the sequence of API calls used and their parameter values any time a control on the GUI is accessed.

*PixelINK Capture OEM* also acts as a camera configuration utility and provides access to all camera features not available with standard interfaces such as DirectShow.

PixelINK offers full technical support with the purchase of the SDK. The support includes access to our advanced support area on the PixelINK website, free software upgrades as well as assistance from our experienced support team.

## USB 2.0 Digital Imaging Solutions for Machine Vision

PL-B700U series are high-performance megapixel color and monochrome cameras designed for machine vision and industrial inspection applications. The cameras are complemented by on-board look-up tables, multiple triggering modes, flexible ROI sub-windowing and excellent anti-blooming. Real-time flat-field correction provides image quality similar to high-end CCD cameras.

For OEM and end-users who require increased flexibility, PixelINK offers all of its cameras with both standard and right-angle mechanical configurations.

Contact us or your PixelINK Representative directly to determine which configuration best suits your application.

**For more information, contact [sales@pixelink.com](mailto:sales@pixelink.com):**

### PixelINK

3030 Conroy Road, Ottawa, ON Canada K1G 6C2  
<http://www.pixelink.com>

Linden Bucks Technology Supplies Sdn. Bhd.  
28A Jalan Mega Mendung, Bandar Park,  
Off 5th Mile Jalan Kelang Lama  
58200 Kuala Lumpur  
MALAYSIA  
Tel: +60-3-79832663 Fax: +60-3-79845137  
Email: [lbts@lindenbucks.com](mailto:lbts@lindenbucks.com)  
[www.lindenbucks.com](http://www.lindenbucks.com)

Camera Model >	PL-B771U	PL-B774U	PL-B776U	PL-B777U	PL-B778U	PL-B781U	PL-B782U
----------------	----------	----------	----------	----------	----------	----------	----------

Camera Specifications							
Color / Mono	Mono	Color	Color	Mono	Color	Mono	Color
Resolution	1280 x 1024	1600 x 1200	2048 x 1536	2592 x 1944	2592 x 1944	2208 x 3000	2208 x 3000
Frame Rate at Full Resolution	27	18	10	6	6	4	4
Sensor Type	CMOS	CMOS	CMOS	CMOS	CMOS	CMOS	CMOS
Shutter Type	Rolling	Rolling	Rolling	Rolling	Rolling	Rolling	Rolling
Lens Format	C 1/2"	C 1/2"	C 1/2"	C 1/2.5"	C 1/2.5"	C 1"	C 1"
Pixel Pitch	5.2 µm	4.2 µm	3.2 µm	2.2 µm	2.2 µm	3.5 µm	3.5 µm
Sensor Diagonal	8.52 mm	8.40 mm	8.19 mm	7.13 mm	7.13 mm	13.1 mm	13.1 mm
Bit Depth	8 or 10	8 or 10	8 or 10	8 or 10	8 or 10	8 or 10	8 or 10
Power Consumption (Watts)	3.0W	3.5W	3.5W	TBD	TBD	3.2W	4.0W
Variable ROI	Yes	Yes	Yes	Yes	Yes	Yes	Yes
Right-angle Capable	All camera models are available with right angled case by adding suffix -R to part number						
Interface (USB 2.0)	1 x 4 PIN Connector						

Frame rates will vary based on host system variables and configuration  
Non-triggered frame rates. Triggered frame rates will be slower

Camera Features via USB 2.0	
Trigger Options	Hardware - Optically Isolated 5-12V @ 4-11mA, Software and Free Running
General Purpose Outputs	2 Optically Isolated - Maximum 40V Differential, Maximum 15mA

Image Quality Measures	(See the Knowledge Base at <a href="http://www.pixelink.com">http://www.pixelink.com</a> for a description of Image Quality Measures)						
Peak Responsivity (DN/(nJ/cm <sup>2</sup> ))	11.8	10	4.6	TBD	TBD	4.4	4
Dynamic Range	60 dB	60 dB	60 dB	TBD	TBD	60 dB	60 dB
FPN	< 1%	< 1%	< 1%	TBD	TBD	< 1%	< 1.5%
PRNU	< 1%	< 1%	< 1%	TBD	TBD	< 2%	< 3%
Read Noise	< 1 DN	< 1 DN	< 1 DN	TBD	TBD	< 1 DN	< 1 DN

Software							
PixeLINK Capture OEM	Free Download at <a href="http://www.pixelink.com">http://www.pixelink.com</a>						
SDK (incl. LabView Wrappers)	Optional	Optional	Optional	Optional	Optional	Optional	Optional
DirectShow Compatible	Yes	Yes	Yes	Yes	Yes	Yes	Yes
Windows Compatible	Windows™ 2000, XP and Vista (32-bit)						

